

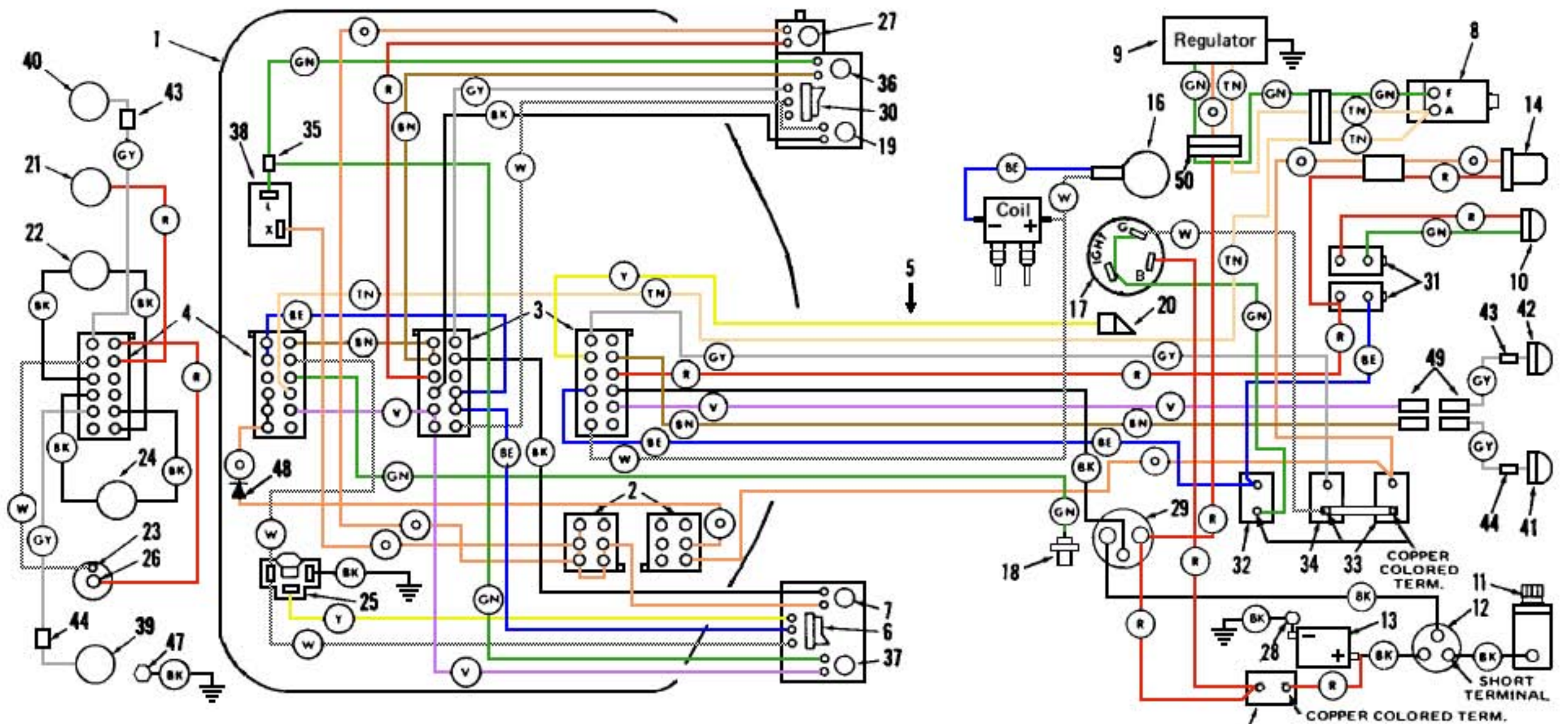
1979 XLH – WIRING DIAGRAM KEY

1. Headlamp housing
2. Socket-plug combination
3. Socket-plug combination
4. Socket-plug combination
5. Wiring harness
6. Headlamp dimmer switch
7. Horn switch
8. Generator "F" and "A" terminals
9. Regulator
10. Tail lamp
11. Starter motor
12. Starter solenoid
13. Battery
14. Rear stoplight switch
15. Ignition coil
16. Ignition timer
17. Ignition – light switch

18. Oil signal light switch
19. Starter button
20. Horn
21. Speedometer light
22. Oil signal light
23. High beam indicator light
24. Generator indicator light
25. Headlamp socket
26. Tachometer light
27. Front stoplight switch
28. Crankcase bolt (under battery)
29. Starter relay
30. Engine stop switch
31. Tail lamp harness connector
32. Lighting circuit breaker
33. Accessory circuit breaker
34. Ignition circuit breaker

35. Connector
36. Right turn signal switch
37. Left turn signal switch
38. Turn signal flasher
39. Left front turn signal lamp
40. Right front turn signal lamp
41. Left rear turn signal lamp
42. Right rear turn signal lamp
43. Tag, brown (R)
44. Tag, violet (L)
45. Bolt to frame
46. Main circuit breaker
47. Handlebar bolt
48. Diode
49. Rear turn signal lamp harness connector
50. Regulator connector

KEY TO COLOR CODE	
(BK) BLACK	(R) RED
(BE) BLUE	(TN) TAN
(BN) BROWN	(V) VIOLET
(GY) GRAY	(W) WHITE
(GN) GREEN	(Y) YELLOW
(O) ORANGE	



1979 XLH – WIRING DIAGRAM KEY

- | | | |
|------------------------------------|------------------------------------|---|
| 1. Headlamp housing | 18. Oil signal light switch | 35. Connector |
| 2. Socket-plug combination | 19. Starter button | 36. Right turn signal switch |
| 3. Socket-plug combination | 20. Horn | 37. Left turn signal switch |
| 4. Socket-plug combination | 21. Speedometer light | 38. Turn signal flasher |
| 5. Wiring harness | 22. Oil signal light | 39. Left front turn signal lamp |
| 6. Headlamp dimmer switch | 23. High beam indicator light | 40. Right front turn signal lamp |
| 7. Horn switch | 24. Generator indicator light | 41. Left rear turn signal lamp |
| 8. Generator "F" and "A" terminals | 25. Headlamp socket | 42. Right rear turn signal lamp |
| 9. Regulator | 26. Tachometer light | 43. Tag, brown (R) |
| 10. Tail lamp | 27. Front stoplight switch | 44. Tag, violet (L) |
| 11. Starter motor | 28. Crankcase bolt (under battery) | 45. Bolt to frame |
| 12. Starter solenoid | 29. Starter relay | 46. Main circuit breaker |
| 13. Battery | 30. Engine stop switch | 47. Handlebar bolt |
| 14. Rear stoplight switch | 31. Tail lamp harness connector | 48. Diode |
| 15. Ignition coil | 32. Lighting circuit breaker | 49. Rear turn signal lamp harness connector |
| 16. Ignition timer | 33. Accessory circuit breaker | 50. Regulator connector |
| 17. Ignition – light switch | 34. Ignition circuit breaker | |

KEY TO COLOR CODE	
(BK) BLACK	(R) RED
(BE) BLUE	(TN) TAN
(BN) BROWN	(V) VIOLET
(GY) GRAY	(W) WHITE
(GN) GREEN	(Y) YELLOW
(O) ORANGE	